

Driver & Event	
Name	<i>Ricky Ekenlöv</i>
Date	<i>6/12-25</i> Event <i>Training Västerort</i>
Weather	<i>Indoor</i>
Result	<i>Fastlap: 19.186</i>

Electrics & Chassis	
E.S.C <i>Hobbywing XR10 PRO G2S</i>	
Servo <i>Savöx 1258TG Black Edition</i>	
Reciever	<i>Sanwa RX-481</i>
Lipo	<i>Coyote 5000mah</i>
Shorty LiPo	Front <input checked="" type="checkbox"/> Middle <input type="checkbox"/> Rear <input type="checkbox"/>
Centre Topdeck	Yes <input checked="" type="checkbox"/> No <input type="checkbox"/>
Front Topdeck Thickness	2.5mm <input checked="" type="checkbox"/> 3.0mm <input type="checkbox"/>
Rear Topdeck Thickness	2.5mm <input checked="" type="checkbox"/> 3.0mm <input type="checkbox"/>

Motor & Gearing	
Motor	<i>5.0T</i>
Rotor Diameter	<i>12.5</i> mm
Timing	<i>14,5</i> Deg
Spur	<i>83</i>
Pinion	<i>22</i>


Track Conditions	
Grip Level	High <input checked="" type="checkbox"/> Med <input type="checkbox"/> Low <input type="checkbox"/>
Type	Tight <input type="checkbox"/> Open <input type="checkbox"/> Mixed <input checked="" type="checkbox"/>
Surface	Clay <input type="checkbox"/> Astro <input type="checkbox"/> Grass <input type="checkbox"/> Mixed <input type="checkbox"/> Carpet <input checked="" type="checkbox"/>
Condition	Smooth <input checked="" type="checkbox"/> Bumpy <input type="checkbox"/>

Wheels & Tyres	
Rr Tyre	<i>Fast1 Foam 35sh</i>
Rr Wheel	<i>Schumacher</i>
Rr Insert	
Fr Tyre	<i>Fast1 Foam 45sh</i>
Fr Wheel	<i>Schumacher</i>
Fr Insert	

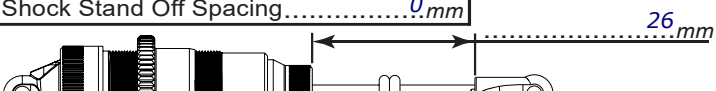
Other settings	
Car Weight	<i>1505g</i>
Alloy Wing Mount	High <input type="checkbox"/> Low <input checked="" type="checkbox"/>
Rear Wing Gurney Height	mm
Front Wing	Small <input type="checkbox"/> Big <input type="checkbox"/>
Front Wing Gurney Height	mm
Slipper	2Plate <input type="checkbox"/> 3Plate <input type="checkbox"/> 4Plate <input checked="" type="checkbox"/>
Rear Hex	0 <input type="checkbox"/> 0.75 <input type="checkbox"/> 1.5 <input checked="" type="checkbox"/>
Front Hex	0 <input type="checkbox"/> 0.75 <input checked="" type="checkbox"/> 1.5 <input type="checkbox"/>

Differential	
Diff Oil F	<i>40k</i> cSt R <i>40k</i> cSt
Dif Height F	High <input type="checkbox"/> Mid <input type="checkbox"/> Low <input checked="" type="checkbox"/>
Dif Height R	High <input type="checkbox"/> Mid <input type="checkbox"/> Low <input checked="" type="checkbox"/>

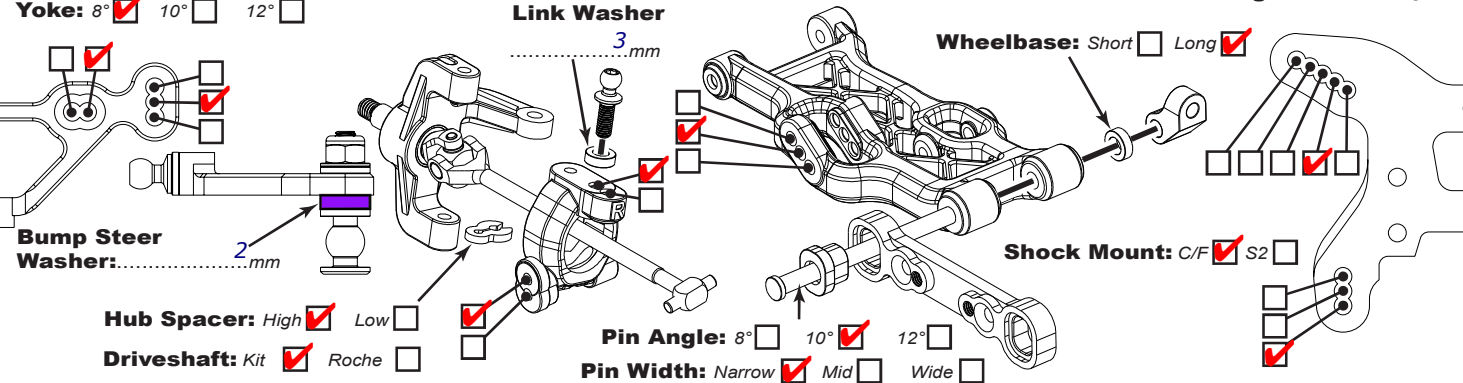
Front Shocks	
Oil	<i>550</i> cSt
Spring	<i>Blue</i> lb/in
Shock Cap	Vented <input type="checkbox"/> Sealed <input type="checkbox"/>
	Aeration <input checked="" type="checkbox"/>
Piston	<i>Tapered</i> Drilled <input type="checkbox"/>
Hole Size	<i>2x1,5</i> mm
Internal Limiters	<i>0</i> mm Kashima Body No <input checked="" type="checkbox"/> Yes <input type="checkbox"/>



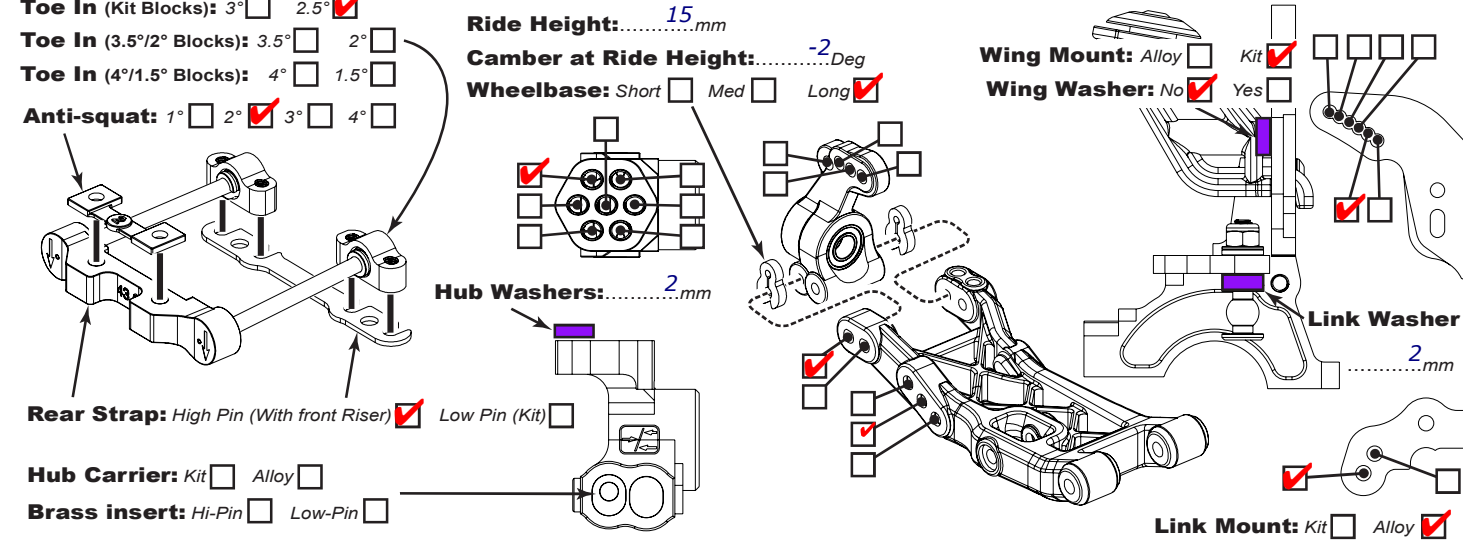
Rear Shocks	
Oil	<i>450</i> cSt
Spring	<i>Blue HR</i> lb/in
Shock Cap	Vented <input type="checkbox"/> Sealed <input type="checkbox"/>
	Aeration <input checked="" type="checkbox"/>
Piston	<i>Tapered</i> Drilled <input type="checkbox"/>
Hole Size	<i>2x2,0</i> mm
Internal Limiters	<i>0</i> mm Kashima Body No <input checked="" type="checkbox"/> Yes <input type="checkbox"/>
Shock Stand Off Spacing	<i>0</i> mm



Front Suspension	
Toe	<i>0</i> Deg
Yoke	8° <input checked="" type="checkbox"/> 10° <input type="checkbox"/> 12° <input type="checkbox"/>
Anti Roll Bar	None <input type="checkbox"/> 1.2 <input type="checkbox"/> 1.4 <input type="checkbox"/> 1.6 <input checked="" type="checkbox"/> 1.8 <input type="checkbox"/> 2.0 <input type="checkbox"/>
Ride Height	<i>15</i> mm
Camber at Ride Height	<i>-2</i> Deg
Link Washer	<i>3</i> mm
Wheelbase	Short <input type="checkbox"/> Long <input checked="" type="checkbox"/>
Bump Steer Washer	<i>2</i> mm
Shock Mount	C/F <input checked="" type="checkbox"/> S2 <input type="checkbox"/>
Hub Spacer	High <input checked="" type="checkbox"/> Low <input type="checkbox"/>
Driveshaft	Kit <input checked="" type="checkbox"/> Roche <input type="checkbox"/>
Pin Angle	8° <input type="checkbox"/> 10° <input checked="" type="checkbox"/> 12° <input type="checkbox"/>
Pin Width	Narrow <input checked="" type="checkbox"/> Mid <input type="checkbox"/> Wide <input type="checkbox"/>



Rear Suspension	
Toe In (Kit Blocks)	3° <input type="checkbox"/> 2.5° <input checked="" type="checkbox"/>
Toe In (3.5°/2° Blocks)	3.5° <input type="checkbox"/> 2° <input type="checkbox"/>
Toe In (4°/1.5° Blocks)	4° <input type="checkbox"/> 1.5° <input type="checkbox"/>
Anti-squat	1° <input type="checkbox"/> 2° <input checked="" type="checkbox"/> 3° <input type="checkbox"/> 4° <input type="checkbox"/>
Anti Roll Bar	None <input type="checkbox"/> 1.2 <input type="checkbox"/> 1.4 <input type="checkbox"/> 1.6 <input type="checkbox"/> 1.8 <input type="checkbox"/> 2.0 <input checked="" type="checkbox"/>
Ride Height	<i>15</i> mm
Camber at Ride Height	<i>-2</i> Deg
Wheelbase	Short <input type="checkbox"/> Med <input type="checkbox"/> Long <input checked="" type="checkbox"/>
Shock Mount	C/F <input checked="" type="checkbox"/> S2 <input type="checkbox"/>
Hub Washers	<i>2</i> mm
Wing Mount	Alloy <input type="checkbox"/> Kit <input checked="" type="checkbox"/>
Wing Washer	No <input checked="" type="checkbox"/> Yes <input type="checkbox"/>
Link Washer	<i>2</i> mm
Rear Strap	High Pin (With front Riser) <input checked="" type="checkbox"/> Low Pin (Kit) <input type="checkbox"/>
Hub Carrier	Kit <input type="checkbox"/> Alloy <input type="checkbox"/>
Brass insert	Hi-Pin <input type="checkbox"/> Low-Pin <input type="checkbox"/>
Link Mount	Kit <input type="checkbox"/> Alloy <input checked="" type="checkbox"/>



**Notes**  
*Klinik RC CAT L1/L1 Evo Max Forward Battery Cradle KRC-MAXFWDL*  
*Rear Universal Hub Upgrade U8515*  
*C block Wide*  
*Big Bore Alloy Shock Cap U8806*